



# NOW SHOWING

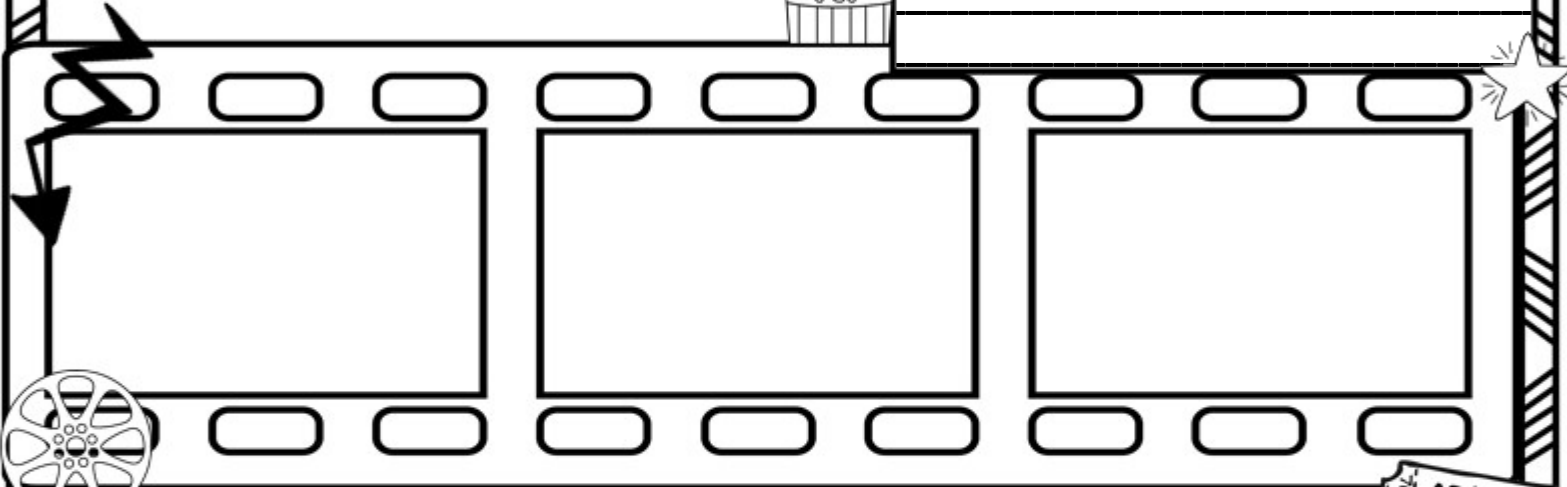
Title:

Author:

## MY FAVORITE PART...

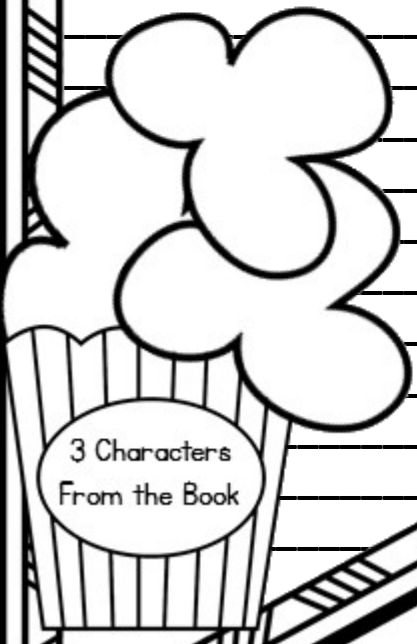


Illustrate a scene from the book.



Describe one of the characters listed below.

You should read this book because....



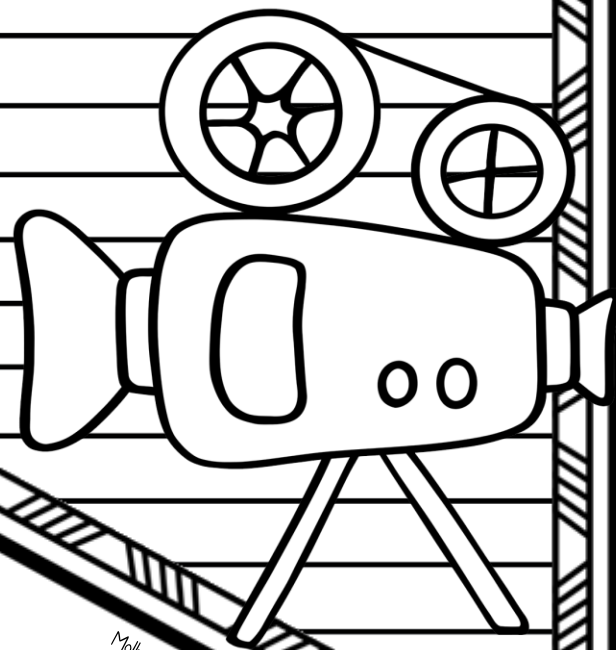
3 Characters From the Book

THIS BOOK IS.....



# SUMMARY

Handwriting practice area consisting of 15 horizontal lines for writing.



Molly Phillips [www.ClassroomConfections.com](http://www.ClassroomConfections.com)

